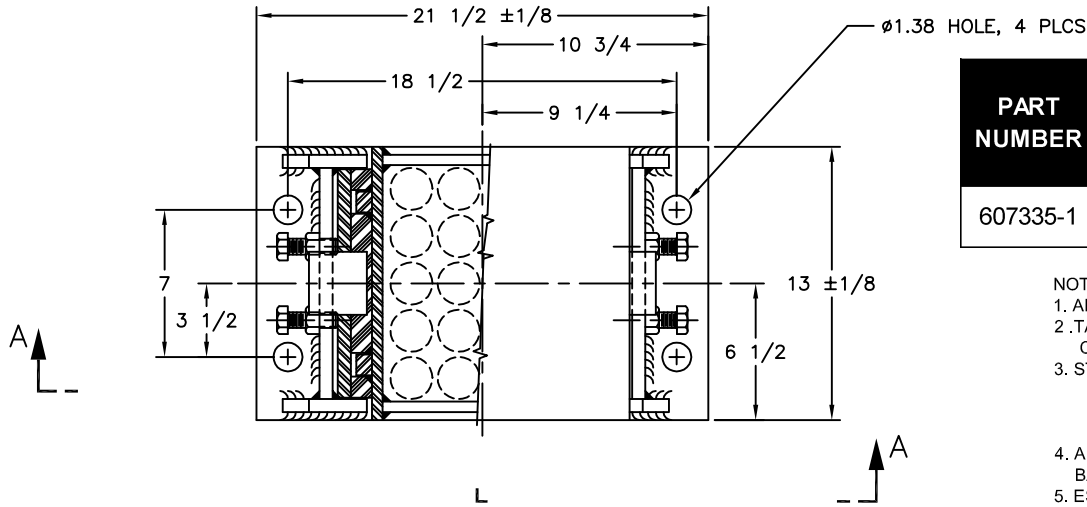


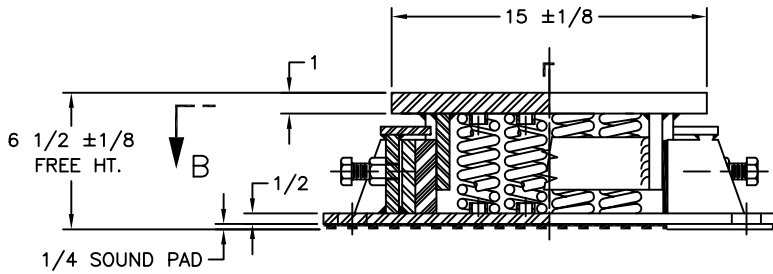
| REV. | DESCRIPTION | DATE | BY |
|------|-------------|------|----|
| | | | |



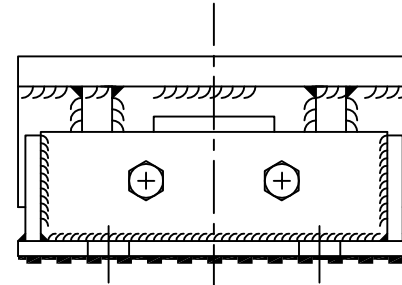
PLAN SECTION "B-B"

| PART NUMBER | ISOLATOR MODEL | MAX. STEADY (LBS) | MAX. IMPACT (LBS) | ISOLATOR CONSTANT (LBS) | COLOR CODE |
|-------------|----------------|-------------------|-------------------|-------------------------|------------|
| 607335-1 | SOP-7520 | 38,000 | 29,000 | 58,000 | PINK |

- NOTES:
1. ALL DIMENSIONS ARE INCHES INTERRUPT PER ANS.I.Y 14.
 2. TAPPED HOLES IN ISOLATOR TOP PLATE CAN BE PROVIDED TO SUIT CONDITIONS..
 3. STANDARD FINISH: CONTACT VMC FOR ADDITIONAL AVAILABILITY.
 - A. STEEL WELDMENTS: STANDARD VMC COLOR
 - B. SPRING: POWDER COATED
 - C. HARDWARE: ELECTRO- ZINC PLATED
 4. AN APPROVED LOAD DISTRIBUTION PLATE IS REQUIRED IF THE EQUIPMENT BASE IS NARROWER THAN 15".
 5. ESTIMATED NET WEIGHT : 220 LBS.



ELEVATION SECTION "A-A"



OTHER MATERIALS, COMPOUNDS, OR FINISHES WITH EQUAL OR SUPERIOR PROPERTIES MAY BE SUBSTITUTED AS THEY BECOME AVAILABLE.

CERTIFIED FOR:

JOB NAME: _____
 CUSTOMER : _____
 CUSTOMER P.O.: _____
 SALES ORDER: _____

**MODEL SOP 38,000 LBS.
 SPRING ISOLATORS
 WITH ADJUSTABLE SNUBBER**



THE VMC GROUP
The Power of Together
 Bloomingdale, NJ 07403
 Houston, TX 77041

SCALE :

NONE

SHEET:



DRAWING NO.:

REVISION